

### B7PT 7 DAY PROGRAMMABLE TIMER

#### FEATURES

- Competitive Price
- Protection up to IP65 (with Seal Kit fitted)
- 6 mm Easy to Read LCD Display
- Individual or Multi-Day Settings
- 6 Programmable Switching Cycles
- AM / PM Time with Seconds Display
- Ni - Cd Rechargeable Battery Backup
- Cycle Switching "ON" Red Led Indicator
- Range of Control Voltages up to 415V A/C
- Flush on Panel Mounting "PLUG-IN" Design



**B7PT**



**BHC**

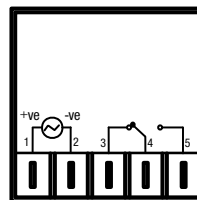


**BCT-E**

#### TECHNICAL DATA

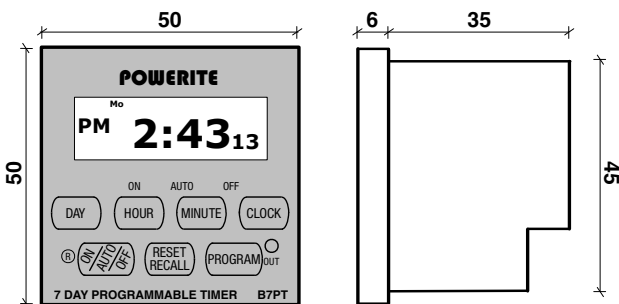
**DIMENSIONS (H x W X D)** = 50 x 50 x 35 mm  
**PANEL CUTOUT** = 45 x 45 mm  
**CONTROL VOLTAGES** = 240V & 415V A/C  
 = 12V D/C  
**CONTACT RATING** = THERMAL (Ith) = 16A / 250V A/C  
 = RESISTIVE LOAD = 16A / 250V A/C  
 = LIGHTING LOAD = 8A / 250V A/C  
 = DIRECT CURRENT = 1A / 24V D/C  
**OPERATING TEMPERATURE RANGE** = -10° C TO +50° C  
**BATTERY RESERVE** = 3,000 HOURS (APPROX)  
**DISPLAY** = 6mm LIQUID-CRYSTAL DISPLAY (LCD)  
**MINIMUM SWITCHING TIME** = 1 MINUTE

#### CONNECTION DETAILS

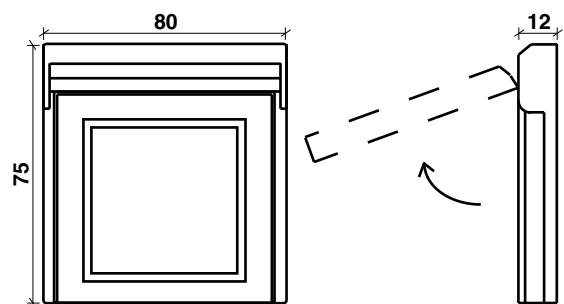


**POWER** = 1 - 2  
**N / C** = 4 - 3  
**N / O** = 4 - 5  
**CONTACT RATING** = 16A - 240V 50Hz  
 RESISTIVE

#### DIMENSIONS



#### HINGED COVER DETAILS



#### DESCRIPTION

#### CODE

B7PT TIMER 240V

32-B7PT240

B7PT TIMER 415V

32-B7PT415

B7PT TIMER 12V D/C

32-B7PTD12

#### DESCRIPTION

#### CODE

MOUNTING PLATE

32-BCTP

TIMER ENCLOSURE (IP55)

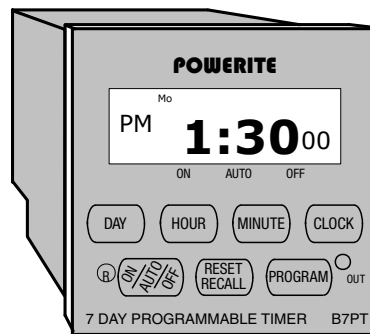
32-BCTE

HINGED COVER FOR BCT2/B7PT

32-BHC



### B7PT PROGRAMMING INSTRUCTIONS



### SETTING ACTUAL TIME

- 1) SET DAY : Hold down the **CLOCK** button and press the **DAY** button until the correct day appears at the top of the display.
- 2) SET TIME : Hold down the **CLOCK** button and press the **HOUR** and **MINUTE** button and set the correct time. NOTE: You may have to cycle through the hours twice to set AM or PM. (on the left side of the display).

### SETTING THE SWITCHING ON/OFF TIMES

- 1) Push the **PROGRAM** button once. **1on** will appear in the bottom left of the display.
- 2) Push the **DAY** button and select the day or days required to operate.  
An individual day : **Mo** or **Tu** or **We** or **Th** or **Fr** or **Sa** or **Su**.  
Or a group : **Mo, Tu, We, Th, Fr** or **Mo, Tu, We, Th, Fr, Sa, Su** or **Sa, Su** can be programmed.
- 3) Select the hour and minute required for the first "on" time.
- 4) Now the time and day for the first "on" time has been selected the first "off" time is selected.
- 5) Push the **PROGRAM** button once. **1off** will appear in the bottom left of the display.
- 6) Push the **DAY** button and repeat the steps in 2, then the **HOUR** and **MINUTE**.
- 7) Push the **PROGRAM** button again and **2on** will appear to indicate that a second "on" is ready to be set and then repeat the steps used to programme **1on / off** to set up to **6on / off** times.
- 8) Press the **PROGRAM** button to run through the times set to ensure they are correct.
- 9) Press the **CLOCK** button to return the real time clock display.
- 10) The **RESET/RECALL** button can be used to "reset" or change a particular power on/off entry, four dashes will appear and the setting can be changed. When you "recall" an entry it will return to the values that were set before you performed a reset.
- 11) To set the unit to Automatic Control. Press the **ON/AUTO/OFF** button until the Bar at the bottom of the display appears above "Auto".
- 12) To Manually operate the unit. Press the **ON/AUTO/OFF** button until the Bar appears above "Off" or "On".
- 13) When the unit is "ON" the red LED (out) will glow.

### COMPLETELY RESETTING THE TIMER

- 1) To completely reset the timer if the unit malfunctions, or you wish to completely clear all programs, push the **(R)** button once.